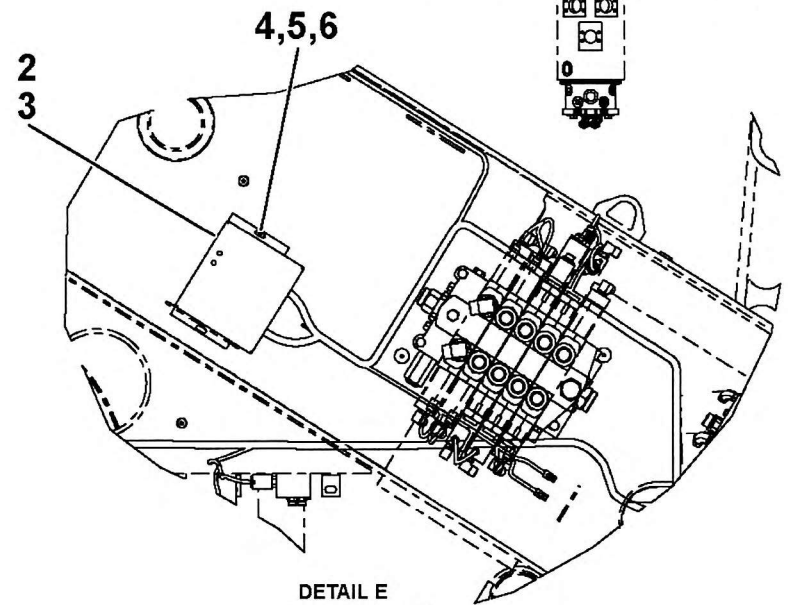
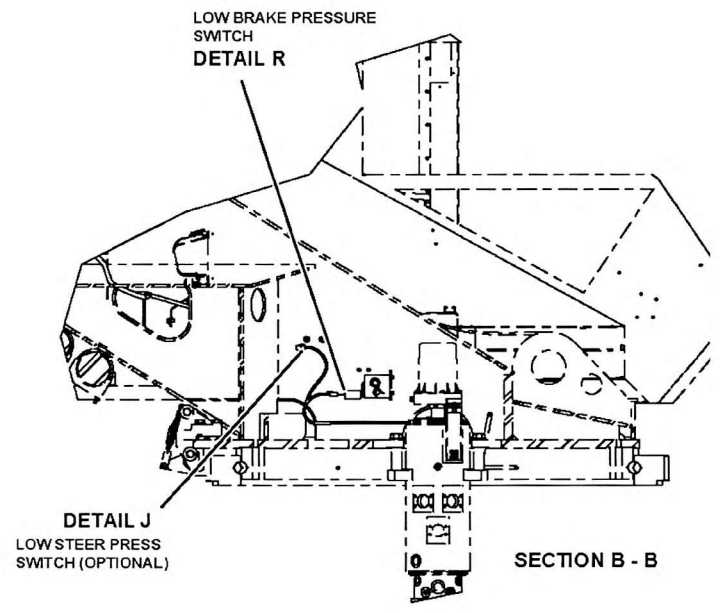
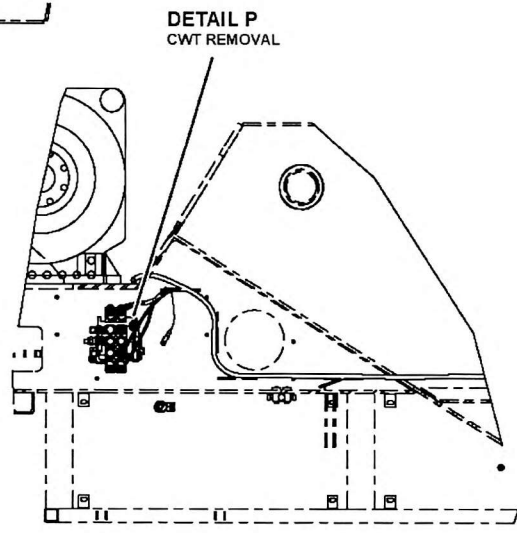
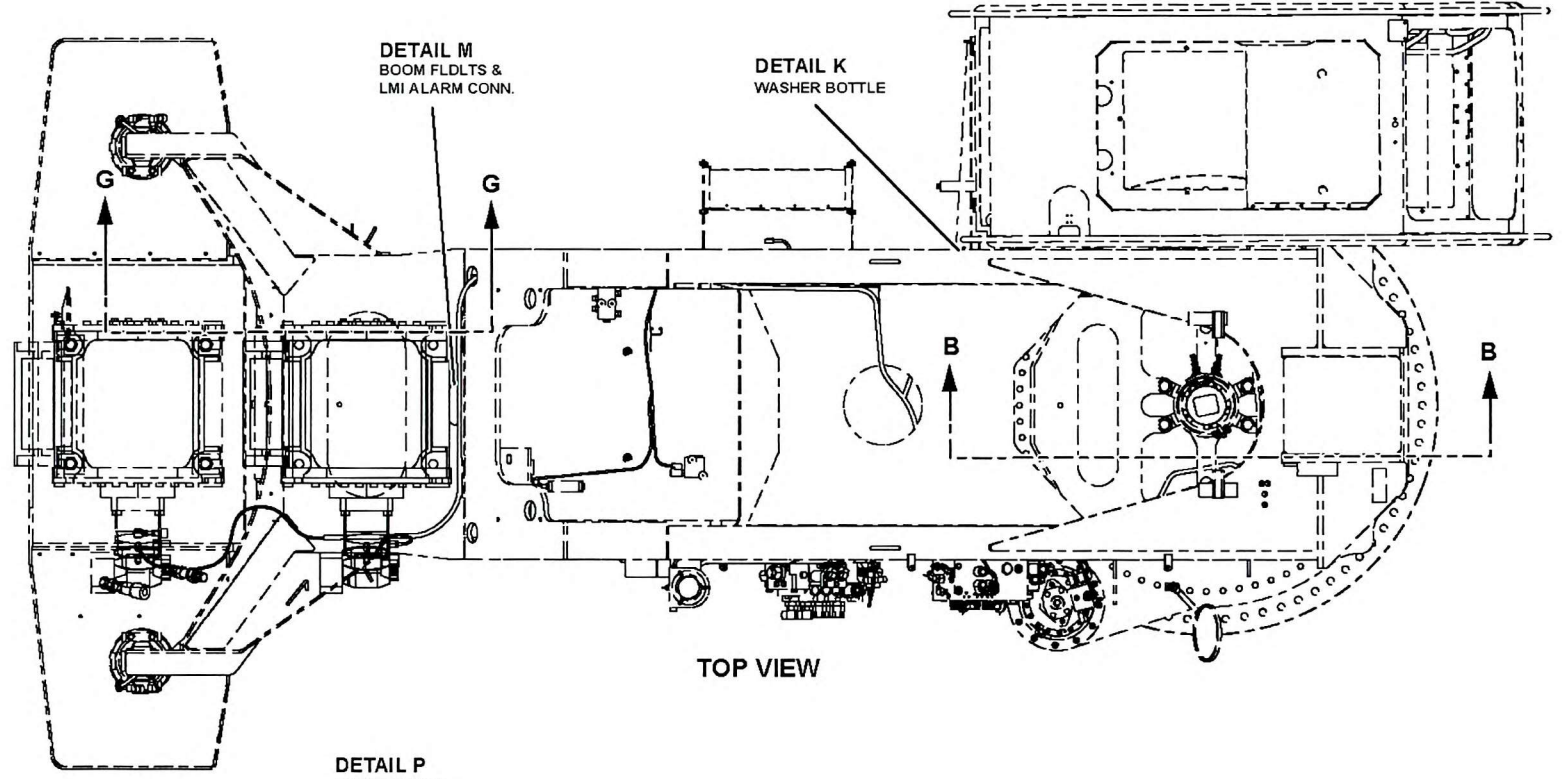


SECTION V - V



DETAIL E  
MAIN CONTROL VALVE &  
TELE PRESS SWITCHES &  
TELE ROD DRAIN SOLENOID



ITEM NOT SHOWN NBR 15,16